

# EDiA EM

## THE MOST INTELLIGENT... THE MOST AGILE

Meet the EDiA EM. It's the most intelligent truck on the market and one of the most durable. Packed with features, it delivers the manoeuvrability, power and reliability you expect from a Mitsubishi.



FB14ANT  
FB16ACNT  
FB18ACNT  
FB16ANT  
FB18ANT  
FB20ANT

FB16ACN  
FB18ACN  
FB16AN  
FB18AN  
FB20AN

PRELIMINARY SPEC SHEET

## Electric-powered forklift trucks

3 & 4 Wheel Solid Pneumatic Tyres • 48 Volt • 1.4 – 2.0 tonnes

 **MITSUBISHI**  
FORKLIFT TRUCKS



**EDIA EM**  
**DESIGNED AND ENGINEERED TO PERFORM, THESE 48-VOLT THREE AND FOUR-WHEEL ELECTRICS WORK INTUITIVELY, TAILORING THEIR PERFORMANCE TO YOUR INDIVIDUAL OPERATOR. EDIA EM'S SOPHISTICATED SOFTWARE ANALYSES BEHAVIOUR IN REAL-TIME AND AUTOMATICALLY ADJUSTS THE TRUCK'S BEHAVIOUR FOR SAFE-BUT-PRODUCTIVE PERFORMANCE.**

### OPERATOR COMPARTMENT AND CONTROLS

- Large, ultra-comfortable operating space has been enhanced to meet the needs of drivers of all shapes and sizes for fatigue-free operation.
- Spacious footwell accommodates size 50+ (EU) shoes ensuring – whatever their size – operators enjoy a natural, ergonomic foot position.
- Extra-large entry step with offers good grip, ensuring safe, no-slip entry and exit – whatever the footwear.
- Unparalleled 360° visibility thanks to optimised mast, wheel, dashboard and counterweight design, maximises visibility to load, forks, front and rear wheels for safe, confident operation in tight spaces.
- Optimised pedal positioning encourages a more natural foot position for drivers of all sizes – short and tall included – to keep fatigue at bay.
- Clear informative full-colour display is easy to read from any angle (even direct sunlight). It's perfectly positioned for operator reference and doesn't reduce the truck's all-round visibility.

- Touch-sensitive fingertip controls are spring-loaded for a natural feeling; the gentler the touch, the finer the control.

### FRAME AND BODY

- High visibility design offers minimal 'death angle' for improved safety, while eliminating unnecessary driver movements to keep drivers fresh.
- Fast-access battery compartment offers easy opening for maximum ventilation during charging and quick battery checks and maintenance.

### MAST AND FORK ASSEMBLY

- Passive Sway Control dampens any elevated load motion above 3.0 m by compensating with micro chassis movements.

### DRIVE

- High-efficiency motors offer a high RPM range for precise control when accelerating.
- Sensitive Drive System (SDS) smooths start and stop movements, increases agility and adapts to the speed of operators' foot movements.
- Intelligent curve control senses the angle of a turn and responds – automatically reducing speed early in the manoeuvre – ensuring maximum stability and accurate, positive cornering.
- >100° steering axle with dual-drive motors offers smooth 'on the spot' turning, with no initial 'push'.

### BRAKES

- Electronic magnetic brakes don't rely on brake pads – eliminating associated maintenance and the risk of brake dust and contamination.

- Automatic parking brake with hill hold stops the truck automatically when the accelerator is not engaged, and prevents rolling on ramps - no remembering to use a handle or switch.

### HYDRAULICS

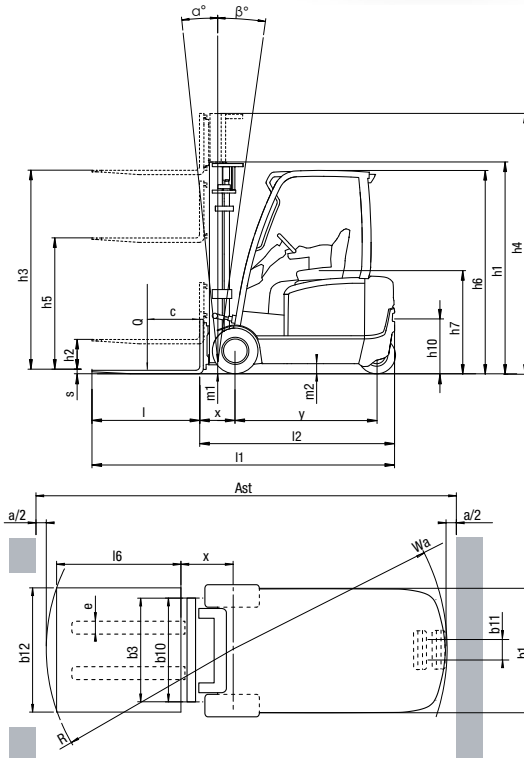
- Precision tilt and side shift provides easy, fine control – making difficult movements safer and faster.
- Load-sensing hydraulic system automatically adjusts truck's performance when handling loads at heights above 2.0 m – for consistently safe and efficient operations, standard for masts from 3.5m.

### STEERING SYSTEM

- Optimised steering automatically adjusts power to steering for consistently smooth operations – regardless of speed or work intensity – for maximum control, comfort and safety.



### 3 Wheel models 1.4 – 2.0 tonnes 48 Volt AC Power



- Ast =  $Wa + R + a$
- Ast = Working aisle width
- Wa = Turning radius
- a = Safety clearance = 2 x 100 mm
- $R = \sqrt{(l6 + x)^2 + (b12 / 2)^2}$
- l6 = Pallet length (800 or 1000 mm)
- b12 = Pallet width (1200 mm)

Characteristics		
1.1	Manufacturer (abbreviation)	
1.2	Manufacturer's model designation	
1.3	Power source: (battery, diesel, LP gas, petrol)	
1.4	Operator type: pedestrian, (operator)-standing, -seated	
1.5	Load capacity	Q kg
1.6	Load center distance	c mm
1.8	Load distance, axle to fork face	x mm
1.9	Wheelbase	y mm
Weight		
2.1	Truck weight, without load / including battery (simplex mast, lowest lift height)	kg
2.2	Axle loading with maximum load, front / rear (simplex mast, lowest lift height)	kg
2.3	Axle loading without load, front / rear (simplex mast, lowest lift height)	kg
Wheels, Drive Train		
3.1	Tyres: V=solid, L=pneumatic, SE=solid pneumatic - front / rear	
3.2	Tyre dimensions, front	
3.3	Tyre dimensions, rear	
3.5	Number of wheels, front / rear (x=driven)	
3.6	Truck width (center of tyres), front	b10 mm
3.7	Truck width (center of tyres), rear	b11 mm
Dimensions		
4.1	Mast tilt, forwards/backwards	$\alpha/\beta$ °
4.2	Height with mast lowered (see tables)	h1 mm
4.3	Free lift (see tables)	h2 mm
4.4	Lift height (see tables)	h3 mm
4.5	Overall height with mast raised	h4 mm
4.7	Height to top of overhead guard	h6 mm
4.8	Seat height	h7 mm
4.12	Tow coupling height	h10 mm
4.19	Overall length	l1 mm
4.20	Length to fork face (includes fork thickness)	l2 mm
4.21	Overall width	b1/b2 mm
4.22	Fork dimensions (thickness, width, length)	s / e / l mm
4.23	Fork carriage to DIN 15 173 A/B/no	2A
4.24	Fork carriage width	b3 mm
4.31	Ground clearance under mast, with load	m1 mm
4.32	Ground clearance at center of wheelbase, with load (forks lowered)	m2 mm
4.33	Working aisle width with 1000 x 1200 mm pallets, crosswise	Ast mm
4.34	Working aisle width with 800 x 1200 mm pallets, crosswise	Ast mm
4.35	Turning circle radius	Wa mm
4.36	Minimum distance between centers of rotation	b13 mm
Performance		
5.1	Travel speed, with / without load	km/h
5.2	Lifting speed, with / without load	m/s
5.3	Lowering speed, with / without load	m/s
5.5	Rated drawbar pull, with / without load	N
5.6	Maximum drawbar pull, with / without load (5 min short duty)	N
5.7	Gradeability, with / without load	%
5.8	Maximum gradeability, with / without load	%
5.9	Acceleration time (10 metres) with / without load	s
5.10	Service brakes (mechanical / hydraulic / electric / pneumatic)	
Electric motors		
6.1	Drive motor capacity (60 min. short duty)	kW
6.2	Lift motor output at 15% duty factor	kW
6.3	Battery to DIN 43 531 / 35 / 36 A/B/C/no	
6.4	Battery voltage/capacity at 5-hour discharge	V/Ah
6.5	Battery weight	kg
6.6	Energy consumption according to VDI 60 cycle	kWh/h
Miscellaneous		
8.1	Type of drive control	
8.2	Maximum operating pressure for attachments	bar
8.3	Oil flow for attachments	l/min
8.4	Noise level, value at operator's ear (EN 12053)	dB(A)
8.5	Towing coupling design / DIN type, ref.	

Mitsubishi	Mitsubishi	Mitsubishi	Mitsubishi	Mitsubishi	Mitsubishi
FB14ANT	FB16ACNT	FB18ACNT	FB16ANT	FB18ANT	FB20ANT
Electric	Electric	Electric	Electric	Electric	Electric
Seated	Seated	Seated	Seated	Seated	Seated
1400	1600	1800	1600	1800	2000
500	500	500	500	500	500
343	343	343	343	343	358
1320	1320	1320	1428	1428	1428
2790	2966	3156	2949	3119	3342
3688 / 502	4015 / 551	4351 / 605	4020 / 529	4333 / 586	4711 / 631
1394 / 1396	1393 / 1573	1401 / 1754	1476 / 1474	1471 / 1649	1509 / 1833
SE	SE	SE	SE	SE	SE
18 x 7-8	18 x 7-8	18 x 7-8	18 x 7-8	18 x 7-8	200 / 50-10
140 / 55-9	140 / 55-9	140 / 55-9	140 / 55-9	140 / 55-9	140 / 55-9
2 x / 2	2 x / 2	2 x / 2	2 x / 2	2 x / 2	2 x / 2
930	930	930	930	930	938
174	174	174	174	174	174
5 / 7.5	5 / 7.5	5 / 7.5	5 / 7.5	5 / 7.5	5 / 7.5
2125	2125	2125	2125	2125	2125
80	80	80	80	80	80
3290	3290	3290	3290	3290	3290
4335	4335	4335	4335	4335	4335
2050	2050	2050	2050	2050	2050
1035	1035	1035	1035	1035	1035
540	540	540	540	540	540
2996	2996	2996	3104	3104	3119
1846	1846	1846	1954	1954	1969
1090	1090	1090	1090	1090	1140
35 x 100 x 1150	35 x 100 x 1150	35 x 100 x 1150	35 x 100 x 1150	35 x 100 x 1150	35 x 100 x 1150
2A	2A	2A	2A	2A	2A
920	920	920	920	920	920
95	95	95	95	95	95
95	95	95	95	95	95
3173	3173	3173	3281	3281	3295
3296	3296	3296	3404	3404	3419
1502	1502	1502	1610	1610	1610
0	0	0	0	0	0
16 / 16	16 / 16	16 / 16	16 / 16	16 / 16	16 / 16
0.55 / 0.62	0.52 / 0.62	0.46 / 0.62	0.52 / 0.62	0.46 / 0.62	0.62 / 0.42
0.56 / 0.56	0.56 / 0.56	0.56 / 0.56	0.56 / 0.56	0.56 / 0.56	0.56 / 0.56
4900 / 5200	4900 / 5200	4800 / 5100	4900 / 5200	4800 / 5100	4700 / 5100
15000 / 15300	14900 / 15200	14900 / 15200	14900 / 15200	14900 / 15200	14800 / 15200
16 / 26	15 / 25	13 / 23	15 / 25	13 / 23	12 / 21
27 / 35	27 / 35	26 / 35	27 / 35	26 / 35	24 / 35
4.0 / 3.8	4.1 / 3.8	4.2 / 3.8	4.1 / 3.8	4.2 / 3.8	4.3 / 3.9
electric	electric	electric	electric	electric	electric
2 x 5.5	2 x 5.5	2 x 5.5	2 x 5.5	2 x 5.5	2 x 5.5
10	10	10	10	10	10
DIN 43531 A/no	DIN 43531 A/no	DIN 43531 A/no	DIN 43531 A/no	DIN 43531 A/no	DIN 43531 A/no
500-625	500-625	500-625	625-750	625-750	625-750
679	679	679	812	812	812
AC	AC	AC	AC	AC	AC
210	210	210	210	210	210
30	30	30	30	30	30
65	65	65	65	65	65
DIN15170-H	DIN15170-H	DIN15170-H	DIN15170-H	DIN15170-H	DIN15170-H

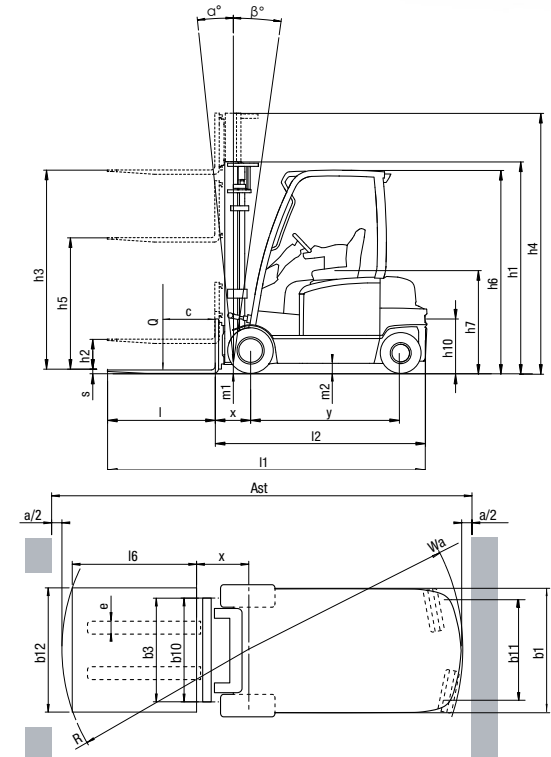
Continuing improvement may lead to changes in these specifications

**4 Wheel models  
1.6 – 2.0 tonnes  
48 Volt AC Power**



Characteristics		
1.1	Manufacturer (abbreviation)	
1.2	Manufacturer's model designation	
1.3	Power source: (battery, diesel, LP gas, petrol)	
1.4	Operator type: pedestrian, (operator)-standing, -seated	
1.5	Load capacity	Q kg
1.6	Load center distance	c mm
1.8	Load distance, axle to fork face	x mm
1.9	Wheelbase	y mm
Weight		
2.1	Truck weight, without load / including battery (simplex mast, lowest lift height)	kg
2.2	Axle loading with maximum load, front / rear (simplex mast, lowest lift height)	kg
2.3	Axle loading without load, front / rear (simplex mast, lowest lift height)	kg
Wheels, Drive Train		
3.1	Tyres: V=solid, L=pneumatic, SE=solid pneumatic - front / rear	
3.2	Tyre dimensions, front	
3.3	Tyre dimensions, rear	
3.5	Number of wheels, front / rear (x=driven)	
3.6	Truck width (center of tyres), front	b10 mm
3.7	Truck width (center of tyres), rear	b11 mm
Dimensions		
4.1	Mast tilt, forwards/backwards	$\alpha/\beta$ °
4.2	Height with mast lowered (see tables)	h1 mm
4.3	Free lift (see tables)	h2 mm
4.4	Lift height (see tables)	h3 mm
4.5	Overall height with mast raised	h4 mm
4.7	Height to top of overhead guard	h6 mm
4.8	Seat height	h7 mm
4.12	Tow coupling height	h10 mm
4.19	Overall length	l1 mm
4.20	Length to fork face (includes fork thickness)	l2 mm
4.21	Overall width	b1/b2 mm
4.22	Fork dimensions (thickness, width, length)	s / e / l mm
4.23	Fork carriage to DIN 15 173 A/B/no	2A
4.24	Fork carriage width	b3 mm
4.31	Ground clearance under mast, with load	m1 mm
4.32	Ground clearance at center of wheelbase, with load (forks lowered)	m2 mm
4.33	Working aisle width with 1000 x 1200 mm pallets, crosswise	Ast mm
4.34	Working aisle width with 800 x 1200 mm pallets, crosswise	Ast mm
4.35	Turning circle radius	Wa mm
4.36	Minimum distance between centers of rotation	b13 mm
Performance		
5.1	Travel speed, with / without load	km/h
5.2	Lifting speed, with / without load	m/s
5.3	Lowering speed, with / without load	m/s
5.5	Rated drawbar pull, with / without load	N
5.6	Maximum drawbar pull, with / without load (5 min short duty)	N
5.7	Gradeability, with / without load	%
5.8	Maximum gradeability, with / without load	%
5.9	Acceleration time (10 metres) with / without load	s
5.10	Service brakes (mechanical / hydraulic / electric / pneumatic)	
Electric motors		
6.1	Drive motor capacity (60 min. short duty)	kW
6.2	Lift motor output at 15% duty factor	kW
6.3	Battery to DIN 43 531 / 35 / 36 A/B/C/no	
6.4	Battery voltage/capacity at 5-hour discharge	V/Ah
6.5	Battery weight	kg
6.6	Energy consumption according to VDI 60 cycle	kWh/h
Miscellaneous		
8.1	Type of drive control	
8.2	Maximum operating pressure for attachments	bar
8.3	Oil flow for attachments	l/min
8.4	Noise level, value at operator's ear (EN 12053)	dB(A)
8.5	Towing coupling design / DIN type, ref.	

Mitsubishi	Mitsubishi	Mitsubishi	Mitsubishi	Mitsubishi
FB16ACN	FB18ACN	FB16AN	FB18AN	FB20AN
Electric	Electric	Electric	Electric	Electric
Seated	Seated	Seated	Seated	Seated
1600	1800	1600	1800	2000
500	500	500	500	500
343	343	343	343	358
1394	1394	1502	1502	1502
2944	3114	2957	3097	3287
3990 / 554	4311 / 603	4008 / 550	4295 / 603	4668 / 620
1422 / 1522	1422 / 1692	1510 / 1448	1484 / 1613	1525 / 1762
SE	SE	SE	SE	SE
18 x 7-8	18 x 7-8	18 x 7-8	18 x 7-8	200 / 50-10
16 x 6-8	16 x 6-8	16 x 6-8	16 x 6-8	16x6-8
2 x / 2	2 x / 2	2 x / 2	2 x / 2	2 x / 2
930	930	930	930	938
898	898	898	898	898
5 / 7.5	5/7.5	5/7.5	5/7.5	5/7.5
2125	2125	2125	2125	2125
80	80	80	80	80
3290	3290	3290	3290	3290
4335	4335	4335	4335	4335
2050	2050	2050	2050	2050
1035	1035	1035	1035	1035
520	520	520	520	520
3152	3152	3260	3260	3275
2002	2002	2110	2110	2125
1090	1090	1090	1090	1140
35 x 100 x 1150	35 x 100 x 1150	35 x 100 x 1150	35 x 100 x 1150	35 x 100 x 1150
2A	2A	2A	2A	2A
920	920	920	920	920
95	95	95	95	95
95	95	95	95	95
3333	3333	3441	3441	3455
3456	3456	3564	3564	3579
1662	1662	1770	1770	1770
0	0	0	0	0
17 / 17	17 / 17	17 / 17	17 / 17	17 / 17
0.52 / 0.62	0.46 / 0.62	0.52 / 0.62	0.46 / 0.62	0.62 / 0.42
0.56 / 0.56	0.56 / 0.56	0.56 / 0.56	0.56 / 0.56	0.56 / 0.56
4900 / 5200	4800 / 5100	4900 / 5200	4800 / 5100	4700 / 5100
14900 / 15200	14900 / 15200	15000 / 15300	14900 / 15200	14800 / 15200
15 / 25	14 / 23	15 / 26	14 / 23	12 / 21
27 / 35	26 / 35	27 / 35	26 / 35	24 / 35
4.1 / 3.8	4.2 / 3.8	4.0 / 3.8	4.2 / 3.8	3.9 / 4.4
electric	electric	electric	electric	electric
2 x 5.5	2 x 5.5	2 x 5.5	2x5.5	2x5.5
10	10	10	10	10
DIN 43531 A/no	DIN 43531 A/no	DIN 43531 A/no	DIN 43531 A/no	DIN 43531 A/no
500-625	500-625	625-750	625-750	625-750
679	679	679	812	812
AC	AC	AC	AC	AC
210	210	210	210	210
30	30	30	30	30
65	65	65	65	65
DIN15170-H	DIN15170-H	DIN15170-H	DIN15170-H	DIN15170-H



- Ast = Working aisle width with load
- a = Safety clearance (200 mm)
- l6 = Pallet length (800 or 1000 mm)
- b12 = Pallet width (1200 mm)
- h1 = Height with mast lowered
- h2 = Standard free lift
- h3 = Lift height
- h4 = Height with mast raised
- h5 = Full free lift
- Q = Lifting capacity, rated load
- c = Load centre (distance)

Continuing improvement may lead to changes in these specifications

**VDI - PERFORMANCE & DIMENSIONS  
4 WHEEL MODELS**



MAST TYPE	h3 + s	h1	h4	h2 / h5	tilt angle (fwd-rev)	
	mm	mm	mm	mm	STD	CABIN
SIMPLEX	2000	1480*	3045	80	5 / 6	N.A.
	2560	1760*	3605	80	5 / 6	5 / 5
	2760	1860*	3805	80	5 / 7.5	5 / 6
	3000	1980*	4045	80	5 / 7.5	5 / 6
	3290	2125	4335	80	5 / 7.5	5 / 7.5
	3530	2245	4575	80	5 / 7.5	5 / 7.5
	3720	2385	4765	80	5 / 7.5	5 / 7.5
	4090	2570	5135	80	5 / 7.5	5 / 7.5
	4480	2775	5525	80	5 / 5	5 / 5
	5000	3035	6045	80	5 / 5	5 / 5
	5500	3285	6545	80	5 / 3.5	5 / 3.5
6000	3535	7045	80	5 / 3.5	5 / 3.5	
DUPLEX	2800	1880*	3845	835	5 / 6	5 / 6
	3000	1980*	4045	935	5 / 6	5 / 6
	3295	2125	4340	1080	5 / 6	5 / 6
	3515	2245	4560	1200	5 / 6	5 / 6
	3700	2385	4745	1340	5 / 6	5 / 6
	4030	2570	5075	1525	5 / 6	5 / 6
TRIPLEX	3710	1780*	4755	735	5 / 6	5 / 3.5
	4010	1880*	5055	835	5 / 6	5 / 3.5
	4310	1980*	5355	935	5 / 6	5 / 5
	4750	2125	5795	1080	5 / 6	5 / 5
	5090	2245	6135	1200	5 / 3.5	5 / 3.5
	5490	2385	6535	1340	5 / 3.5	5 / 3.5
	5990	2570	7035	1525	5 / 3.5	5 / 3.5
	6490	2830	7535	1785	5 / 3.5	5 / 3.5
	7000	3035	8045	1990	5 / 3.5	5 / 3.5

\* Lower than overhead guard

3 Wheels • 1.4 – 2.0 tonnes						4 Wheels • 1.6 – 2.0 tonnes				
FB14ANT	FB16ACNT	FB18ACNT	FB16ANT	FB18ANT	FB20ANT	FB16CPNT	FB18CPNT	FB16PNT	FB18PNT	FB20PNT
Q @	Q @	Q @	Q @	Q @	Q @	Q @	Q @	Q @	Q @	Q @
c = 500mm	c = 500mm	c = 500mm	c = 500mm	c = 500mm	c = 500mm	c = 500mm	c = 500mm	c = 500mm	c = 500mm	c = 500mm
kg	kg	kg	kg	kg	kg	kg	kg	kg	kg	kg
1400	1600	1800	1600	1800	2000	1600	1800	1600	1800	2000
1400	1600	1800	1600	1800	2000	1600	1800	1600	1800	2000
1400	1600	1800	1600	1800	2000	1600	1800	1600	1800	2000
1400	1600	1800	1600	1800	2000	1600	1800	1600	1800	2000
1400	1600	1800	1600	1800	2000	1600	1800	1600	1800	2000
1400	1600	1800	1600	1800	2000	1600	1800	1600	1800	2000
1400	1600	1800	1600	1800	2000	1600	1800	1600	1800	2000
1400	1600	1800	1600	1800	2000	1600	1800	1600	1800	2000
1400	1600	1800	1600	1800	2000	1600	1800	1600	1800	2000
1400	1600	1800	1600	1800	2000	1600	1800	1600	1800	2000
1350								1600	1800	2000
1300								1600		1950
1250								1550		1875
1200								1500		1825
1400	1600	1800	1600	1800	2000	1600	1800	1600	1800	2000
1400	1600	1800	1600	1800	2000	1600	1800	1600	1800	2000
1400	1600	1800	1600	1800	2000	1600	1800	1600	1800	2000
1400	1600	1800	1600	1800	2000	1600	1800	1600	1800	2000
1400	1600	1800	1600	1800	2000	1600	1800	1600	1800	2000
1400	1600	1800	1600	1800	2000	1600	1800	1600	1800	2000
1350	1550	1750	1550	1775	1975	1600	1800	1600	1800	2000
1400	1600	1800	1600	1800	2000	1600	1800	1600	1800	2000
1400	1600	1800	1600	1800	2000	1600	1800	1600	1800	2000
1350	1600	1750	1600			1600	1800	1600	1800	2000
1300	1600	1700	1550					1600	1800	2000
1275	1450	1650	1550					1600		1925
1225	1400	1650	1500					1550		1900
1175	1350	1600	1400	1525	1725			1450		1800
1125	1350	1350	1350	1400	1650			1450		1600
1100	1150	1100	1100	1100	1350			1200		1300

Battery Dimensions		3 Wheels • 1.4 – 2.0 tonnes						4 Wheels • 1.6 – 2.0 tonnes				
		14ANT	16ACNT	18ACNT	16ANT	18ANT	20ANT	16ACN	18ACN	16AN	18AN	20AN
Battery voltage	V	48	48	48	48	48	48	48	48	48	48	48
Capacity at a 5-hour discharge	Ah	500 / 625	500 / 625	500 / 625	625 / 750	625 / 750	625 / 750	500 / 625	500 / 625	625 / 750	625 / 750	625 / 750
Battery weight, Min.	kg	679 / 812	679 / 812	679 / 812	812 / 900	812 / 900	812 / 900	679 / 812	679 / 812	812 / 900	812 / 900	812 / 900
Battery weight, Max.	kg	1000 / 1000	1000 / 1000	1000 / 1000	1060 / 1060	1060 / 1060	1060 / 1060	1000 / 1000	1000 / 1000	1060 / 1060	1060 / 1060	1060 / 1060
Battery box dimensions												
Length	mm	522	522	522	630	630	630	522	522	630	630	630
Width	mm	830 / 1006	830 / 1006	830 / 1006	830 / 1006	830 / 1006	830 / 1006	830 / 1006	830 / 1006	830 / 1006	830 / 1006	830 / 1006
Height	mm	627	627	627	627	627	627	627	627	627	627	627
Battery compartment size												
Length	mm	532	532	532	640	640	640	532	532	640	640	640
Width	mm	850 / 1018	850 / 1018	850 / 1018	850 / 1018	850 / 1018	850 / 1018	850 / 1018	850 / 1018	850 / 1018	850 / 1018	850 / 1018
Height	mm	690 (660*)	690 (660*)	690 (660*)	690 (660*)	690 (660*)	690 (660*)	690 (660*)	690 (660*)	690 (660*)	690 (660*)	690 (660*)

\*With battery exchange rolls

	3 WHEEL 48V						4 WHEEL 48V				
	EP14ANT	EP16ACNT	EP18ACNT	EP16ANT	EP18ANT	EP20ANT	EP16ACN	EP18ACN	EP16AN	EP18AN	EP20AN
3- and 4- Wheel chassis, 48 Volts, front wheel drive	✓	✓	✓	✓	✓	✓	✓	✓	✓	✓	✓
Trucktool setup and diagnostics	✓	✓	✓	✓	✓	✓	✓	✓	✓	✓	✓
Operator selectable economy or high performance modes ECO/PRO	✓	✓	✓	✓	✓	✓	✓	✓	✓	✓	✓
Variable speed control on all hydraulic functions	✓	✓	✓	✓	✓	✓	✓	✓	✓	✓	✓
Multifunctional colour display (Hour meter, BDI,...)	✓	✓	✓	✓	✓	✓	✓	✓	✓	✓	✓
Lift tilt interlock and hydraulic and drive interlock / PDS	✓	✓	✓	✓	✓	✓	✓	✓	✓	✓	✓
Tilttable steering column	✓	✓	✓	✓	✓	✓	✓	✓	✓	✓	✓
Full electrical brakes	✓	✓	✓	✓	✓	✓	✓	✓	✓	✓	✓
SST (Seat Switch Timeout: all functions are disabled – truck enters 'stop mode' and park brake is automatically applied)	✓	✓	✓	✓	✓	✓	✓	✓	✓	✓	✓
Curve control	✓	✓	✓	✓	✓	✓	✓	✓	✓	✓	✓
Basic Overhead Guard	✓	✓	✓	✓	✓	✓	✓	✓	✓	✓	✓
Simplex, Duplex or Triplex masts, from 3m to 7m	✓	✓	✓	✓	✓	✓	✓	✓	✓	✓	✓
Forks 900mm - 2000mm	✓	✓	✓	✓	✓	✓	✓	✓	✓	✓	✓
Load Backrest	✓	✓	✓	✓	✓	✓	✓	✓	✓	✓	✓
Passive sway control for mast at high lifts	✓	✓	✓	✓	✓	✓	✓	✓	✓	✓	✓
Battery compartment side door and opening battery hood cover	✓	✓	✓	✓	✓	✓	✓	✓	✓	✓	✓
Rapid sideways battery exchange chassis (SWE)	✓	✓	✓	✓	✓	✓	✓	✓	✓	✓	✓
Chassis-integrated roller bed (FOR BATTERY SWE)	✓	✓	✓	✓	✓	✓	✓	✓	✓	✓	✓
Basic overhead guard	✓	✓	✓	✓	✓	✓	✓	✓	✓	✓	✓
Narrow Overhead guard for drive in racking	✓	✓	✓	✓	✓	✓	✓	✓	✓	✓	✓
Special (RAL) colour for frame	✓	✓	✓	✓	✓	✓	✓	✓	✓	✓	✓
Automated reversing light	✓	✓	✓	✓	✓	✓	✓	✓	✓	✓	✓
Automatic light switch	✓	✓	✓	✓	✓	✓	✓	✓	✓	✓	✓
Amber strobe light	✓	✓	✓	✓	✓	✓	✓	✓	✓	✓	✓
Electronic back-up smart alarm	✓	✓	✓	✓	✓	✓	✓	✓	✓	✓	✓
"Blue Point" safety light, located rear and/or front	✓	✓	✓	✓	✓	✓	✓	✓	✓	✓	✓
LED working lights, 2 front and 1 rear	✓	✓	✓	✓	✓	✓	✓	✓	✓	✓	✓
Road light kit	✓	✓	✓	✓	✓	✓	✓	✓	✓	✓	✓
Automatic tilt centering via the F2 button on fingertip controller	✓	✓	✓	✓	✓	✓	✓	✓	✓	✓	✓
Tilt centering second function. Two pcs. of angle memories	✓	✓	✓	✓	✓	✓	✓	✓	✓	✓	✓
Sideshifter W920mm	✓	✓	✓	✓	✓	✓	✓	✓	✓	✓	✓
Integrated Sideshifter W920mm	✓	✓	✓	✓	✓	✓	✓	✓	✓	✓	✓
Integrated Fork Positioner with sideshift	✓	✓	✓	✓	✓	✓	✓	✓	✓	✓	✓
Load weight indicator, in 50kg increments	✓	✓	✓	✓	✓	✓	✓	✓	✓	✓	✓
3 valve hydraulic fingertip control mounted on adjustable armrest	✓	✓	✓	✓	✓	✓	✓	✓	✓	✓	✓
Manual lever hydraulic control	✓	✓	✓	✓	✓	✓	✓	✓	✓	✓	✓
4th & 5th hydraulic options	✓	✓	✓	✓	✓	✓	✓	✓	✓	✓	✓



✓ Standard    ✓ Option

	3 WHEEL 48V						4 WHEEL 48V				
	EP14ANT	EP16ACNT	EP18ACNT	EP16ANT	EP18ANT	EP20ANT	EP16ACN	EP18ACN	EP16AN	EP18AN	EP20AN
Hot area hydraulic oil, VG46	✓	✓	✓	✓	✓	✓	✓	✓	✓	✓	✓
Cold area hydraulic oil, VG15	✓	✓	✓	✓	✓	✓	✓	✓	✓	✓	✓
Hydraulic oil food grade	✓	✓	✓	✓	✓	✓	✓	✓	✓	✓	✓
Bio grade oil	✓	✓	✓	✓	✓	✓	✓	✓	✓	✓	✓
Hydraulic accumulator for smoother load handling on rough surfaces	✓	✓	✓	✓	✓	✓	✓	✓	✓	✓	✓
240V Power supply for accessories	✓	✓	✓	✓	✓	✓	✓	✓	✓	✓	✓
Pin code access	✓	✓	✓	✓	✓	✓	✓	✓	✓	✓	✓
Armrest direction control	✓	✓	✓	✓	✓	✓	✓	✓	✓	✓	✓
Forward-reverse direction selection lever on steering column	✓	✓	✓	✓	✓	✓	✓	✓	✓	✓	✓
5V USB connector output 2x 2.5A (max. 4.4A)	✓	✓	✓	✓	✓	✓	✓	✓	✓	✓	✓
Dual pedal system - forward and reverse	✓	✓	✓	✓	✓	✓	✓	✓	✓	✓	✓
Operator presence pedal	✓	✓	✓	✓	✓	✓	✓	✓	✓	✓	✓
Performance reduction from 2m to 3.5m mast (above standard)	✓	✓	✓	✓	✓	✓	✓	✓	✓	✓	✓
Grammer MSG65 vinyl with seat belt switch	✓	✓	✓	✓	✓	✓	✓	✓	✓	✓	✓
Grammer MSG65 or MSG75 with options vinyl / cloth / heater / backrest extension / Armrest (MSG65)	✓	✓	✓	✓	✓	✓	✓	✓	✓	✓	✓
Swivel seat	✓	✓	✓	✓	✓	✓	✓	✓	✓	✓	✓
Solid pneumatic tyres	✓	✓	✓	✓	✓	✓	✓	✓	✓	✓	✓
Solid non-marking tyres	✓	✓	✓	✓	✓	✓	✓	✓	✓	✓	✓
Panel cabin: Front screen with wiper + roof with creane opening	✓	✓	✓	✓	✓	✓	✓	✓	✓	✓	✓
Panel cabin: Economy. Front screen without wiper, plexi roof cover	✓	✓	✓	✓	✓	✓	✓	✓	✓	✓	✓
Panel cabin steel doors	✓	✓	✓	✓	✓	✓	✓	✓	✓	✓	✓
Panel cabin rear screen	✓	✓	✓	✓	✓	✓	✓	✓	✓	✓	✓
Plexi roof cover	✓	✓	✓	✓	✓	✓	✓	✓	✓	✓	✓
PVC doors	✓	✓	✓	✓	✓	✓	✓	✓	✓	✓	✓
Interior package, including radio with speakers, roof lining, reading light.	✓	✓	✓	✓	✓	✓	✓	✓	✓	✓	✓
Deluxe cabin, including wind screen with wiper, roof, rear, steel doors, heater and interior lining.	✓	✓	✓	✓	✓	✓	✓	✓	✓	✓	✓
Heater for cabin	✓	✓	✓	✓	✓	✓	✓	✓	✓	✓	✓
Rear view mirror, Basic / Outside / Wide view	✓	✓	✓	✓	✓	✓	✓	✓	✓	✓	✓
List bracket - A4	✓	✓	✓	✓	✓	✓	✓	✓	✓	✓	✓
Powder fire extinguisher	✓	✓	✓	✓	✓	✓	✓	✓	✓	✓	✓
Sun visor	✓	✓	✓	✓	✓	✓	✓	✓	✓	✓	✓
Accessory rack	✓	✓	✓	✓	✓	✓	✓	✓	✓	✓	✓
RAM-Mounts dummy, D-Serie	✓	✓	✓	✓	✓	✓	✓	✓	✓	✓	✓
RAM-Mounts computer rack, C-serie	✓	✓	✓	✓	✓	✓	✓	✓	✓	✓	✓
RAM-Mounts scanner rack, C-serie	✓	✓	✓	✓	✓	✓	✓	✓	✓	✓	✓
Storage plastic locker	✓	✓	✓	✓	✓	✓	✓	✓	✓	✓	✓
Cold store option, (to -35C)	✓	✓	✓	✓	✓	✓	✓	✓	✓	✓	✓



✓ Standard    ✓ Option

# EDIA EM

## THE ELECTRIC DIAMOND

The family name EDIA appears proudly on our award-winning range of electric forklift trucks.

The reputation that Mitsubishi Forklift Trucks enjoys for endurance and reliability has likened them to the quality and enduring value of a diamond.

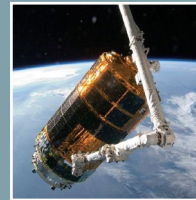


# MOVE THE WORLD FORWARD MITSUBISHI HEAVY INDUSTRIES GROUP



Like any product bearing the Mitsubishi name, our materials handling equipment benefits from the huge resources and cutting-edge technology of one of the world's largest corporations. So when we promise you **quality, reliability** and **value for money**, you know it's a guarantee we have the power to deliver.

Every model in our comprehensive, award-winning range of forklift trucks and warehouse equipment is built to a high specification and is designed to keep on working for you... day after day... year after year... whatever the job... whatever the conditions.



To ensure your truck stays in constant productive action, we have a network of local dealers – hand-picked for their commitment to customer care... and backed up by the Mitsubishi Forklift Trucks organisation. No matter where you are, we have a dealer close by – ready and willing to meet your needs.

That friendly local service covers everything from identifying the perfect model and configuration for your application to providing competitive, flexible finance and maintenance packages, unbeatable warranties, long and short term hire, and highly responsive field service and repairs... as well as the industry's quickest and most reliable parts supply.



Only Mitsubishi can give you this combination of global engineering excellence and outstanding local support... only Mitsubishi offers you such a quality product at such an affordable price... and only Mitsubishi places reliability as high as you do in its priorities. Contact your local dealer now and see what Mitsubishi can do for you.

You can find your nearest dealer at [www.mitforklift.com](http://www.mitforklift.com)



CESM1915 (06/18)  
© 2018 MCFE

[mitforklift@mcf.nl](mailto:mitforklift@mcf.nl) [www.mitforklift.com](http://www.mitforklift.com)

NOTE: Performance specifications may vary depending on standard manufacturing tolerances, vehicle condition, types of tyres, floor or surface conditions, applications or operating environment. Trucks may be shown with non-standard options. Specific performance requirements and locally available configurations should be discussed with your distributor of Mitsubishi forklift trucks. Mitsubishi follows a policy of continual product improvement. For this reason, some materials, options and specifications could change without notice.

